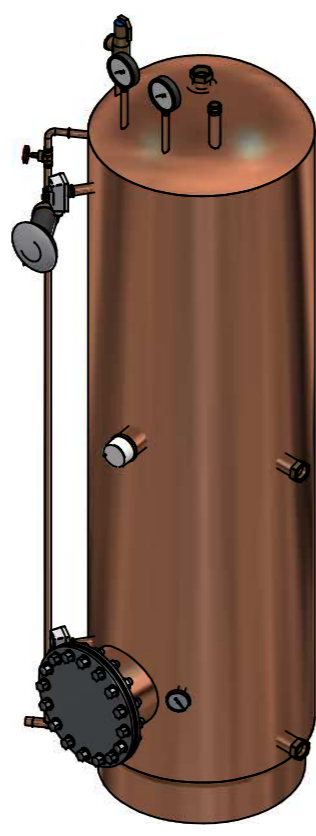
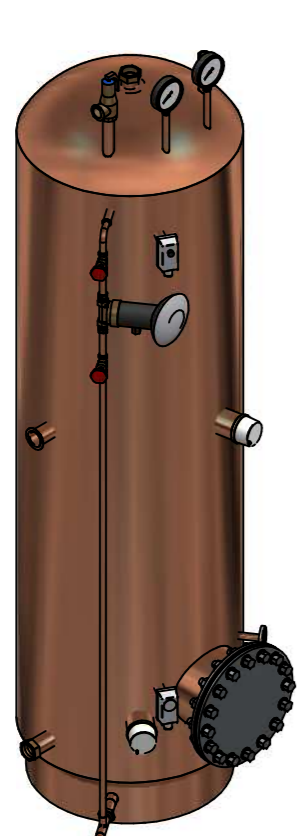
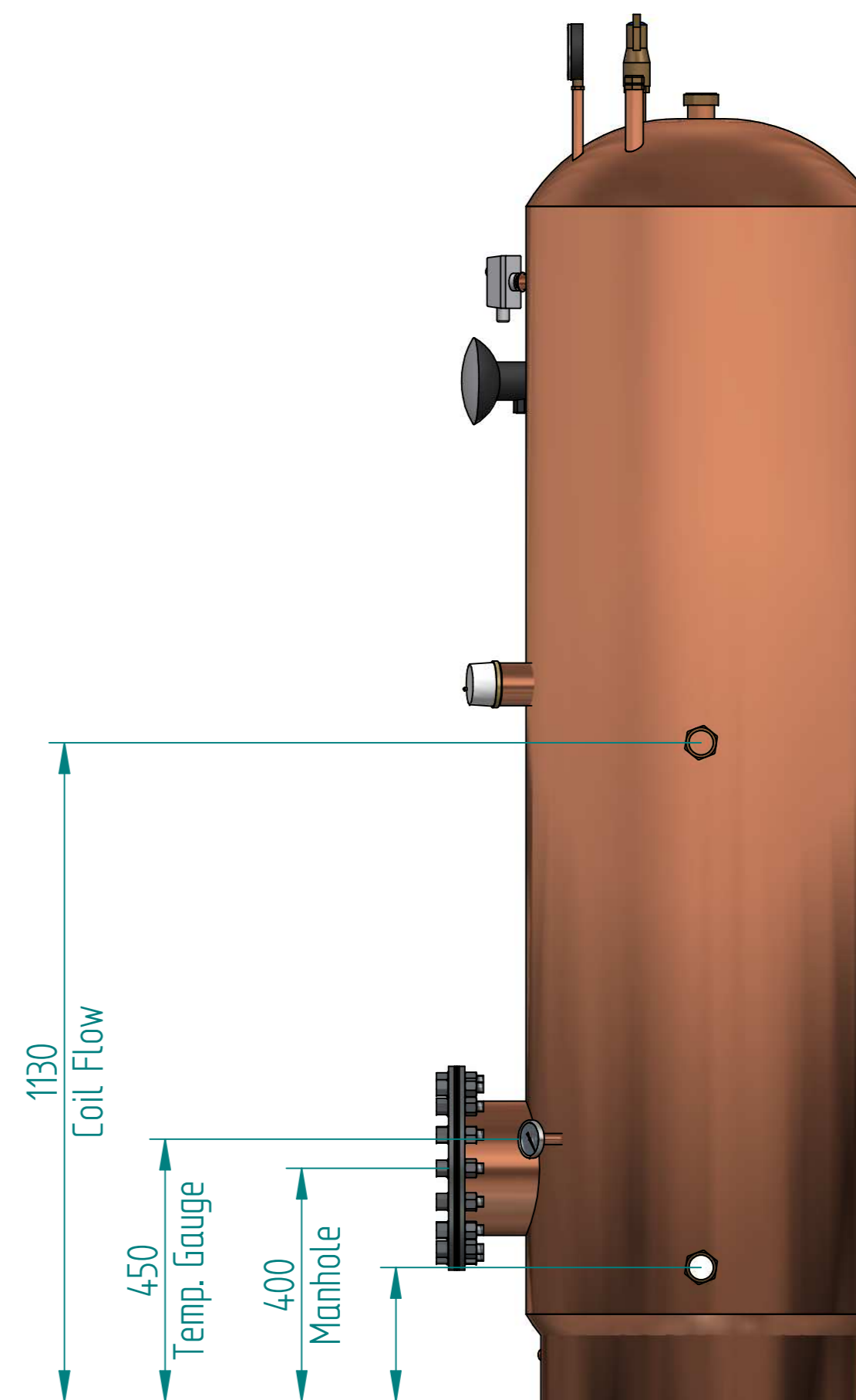
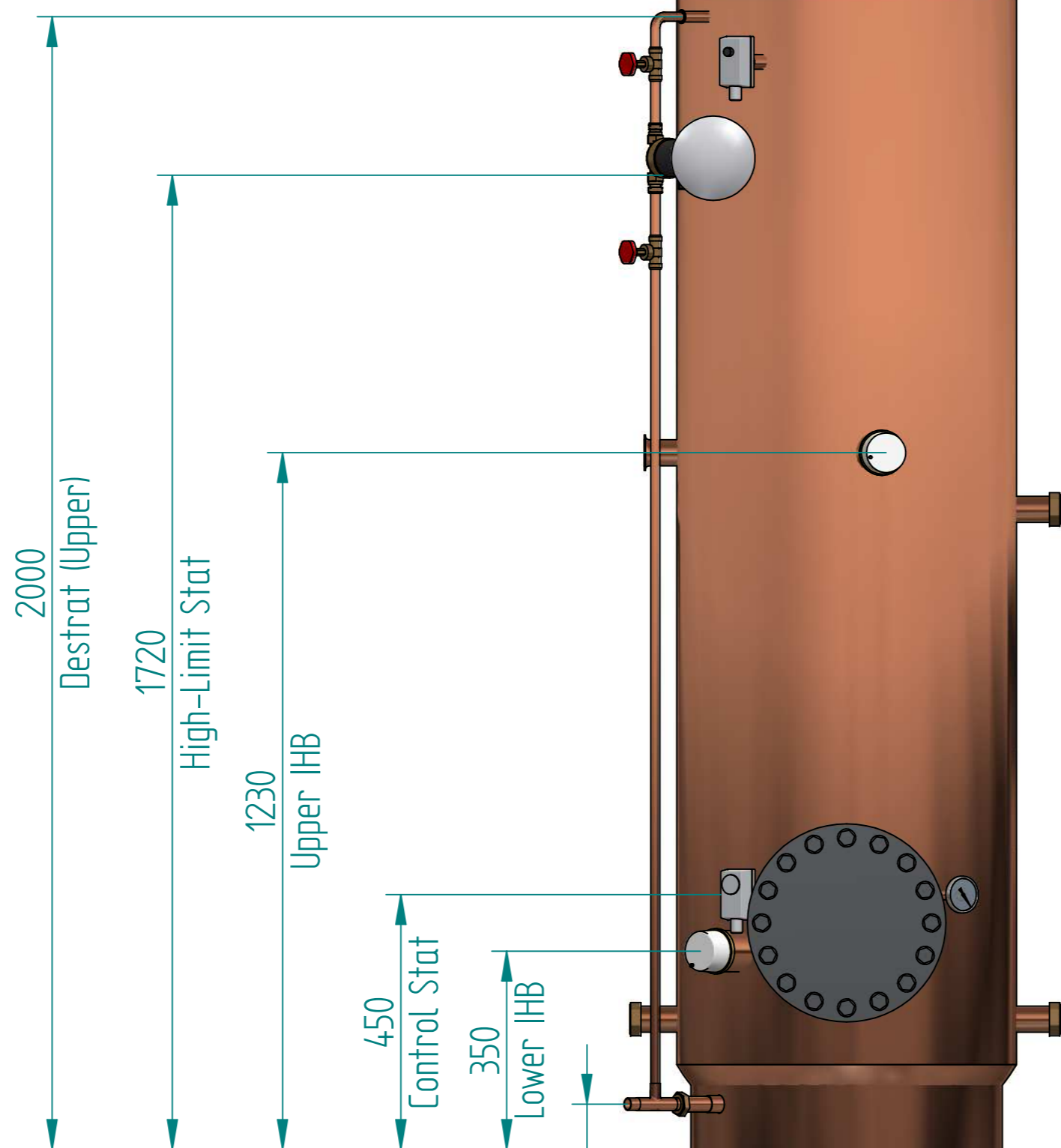
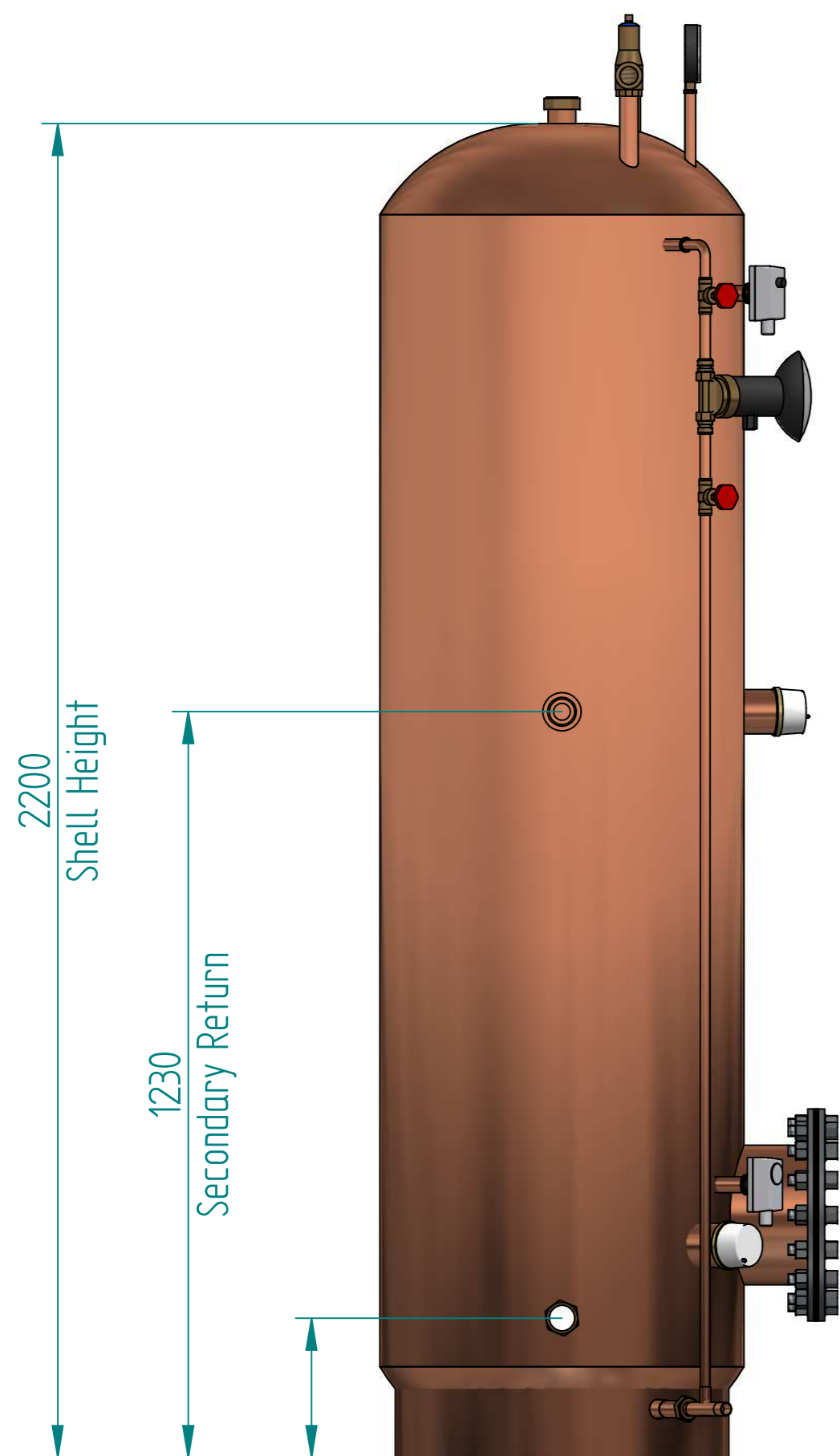


Hot Draw
Temperature Gauge
Pressure Gauge
P&T Relief Valve
Anti-Vacuum Valve



Amada Code:

Insulation:	
Shell Size:	2200 x 600mm
Overall Size:	

UNLESS OTHERWISE SPECIFIED
DIMENSIONS ARE IN MILLIMETERS

Cylinder Description		
550L Indirect Unvented Calorifier STANDARD SIZE		
Item Code: MEDI550		
Size: A2	Scale: 1:10	Stock Code:
File Name: 550L Indirect Unvented Calorifier (Standard Shell).dft		
Drawn By: Scott	Date: 02/11/17	Sheet 1 of 1
Approved:	Date:	